

TurboPak™ A – Regenerative Blower/Vacuum Pump Systems

The Gardner Denver Full Flow and Half Flow TurboPak™ A is a pre-engineered package including a patented TurboTron® blower/vacuum pump assembled with a motor, belt drive and guard on a heavy duty platform. The TurboTron is specifically designed to provide continuous flow, pulse-free air with the versatility to perform in numerous air and gas applications. Its unique capabilities make TurboPak A the choice in applications from wastewater treatment to aeration and landfill gas recovery to chemical tank agitation and vacuum cleaning. Typical industries for the TurboPak include foundries, plating, plastics, pharmaceutical, pulp and paper and printing. Application assistance is available by contacting your local TurboTron representative.

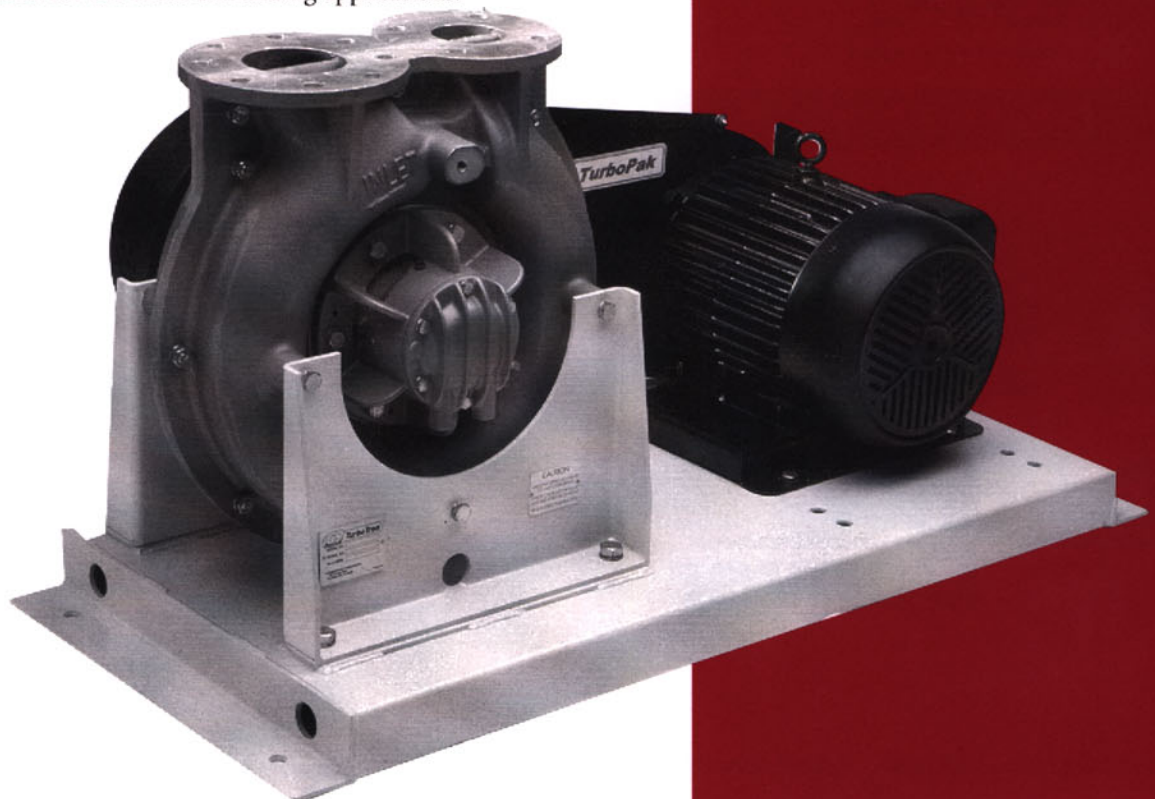
KEY FEATURES:

POWERFUL – Installed as a blower or vacuum pump, the TurboTron features a revolutionary impeller design, achieving multistage compression with a single impeller. This design represents the best efficiency in the industry. TurboTron delivers quiet, clean, smooth, pulse-free air with pressures to 13 psig and vacuum to 14 "Hg.

QUIET AND PULSE FREE - Noise and vibration are reduced. Even without an acoustical cover, the typical free field noise level is only 82 dBA at three feet, one meter.

TROUBLE-FREE – TurboTron is virtually maintenance free. There is only one moving part and no timing gears. The high tensile strength aluminum composite housing is corrosion and spark resistant. Non-binding Teflon®, is used in close tolerance areas. Bearings require only occasional greasing and shaft seals are non-contacting and non-wearing.

VALUE – TurboPak A is the economical and proven way to provide a constant flow of air at varying pressures. TurboTron's revolutionary design, proven dependability and power make this blower/vacuum pump system the best investment for the most demanding applications.



Regenerative Blower/Vacuum Pump Systems

TURBOPAK A FULL FLOW SERIES

- Airflow to 900 cfm
- Pressure to 13 psig
- Vacuum to 14 "Hg

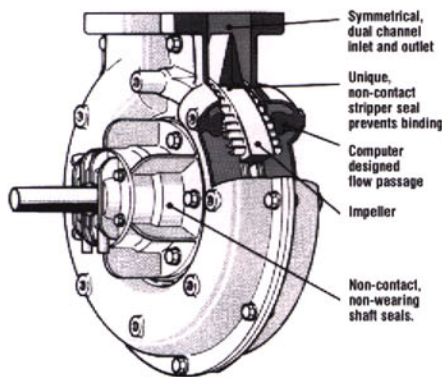
TURBOPAK A HALF FLOW SERIES

- Airflow to 450 cfm
- Pressure to 13 psig
- Vacuum to 14 "Hg



TurboPak® A – Full Flow and Half Flow Blower/Vacuum Pump System Performance and Dimensional Data

REVOLUTIONARY DESIGN



FULL FLOW

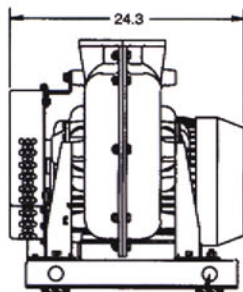
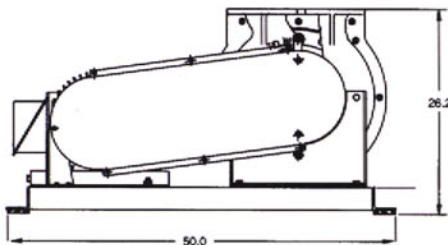


Full Flow Impeller

HALF FLOW



Half Flow Impeller



RPM		PRESSURE (psig)														
		2	3	4	5	6	7	8	9	10	11	12	13			
2000	SCFM	262	211	164	120											
	HP	5.1	7.1	9.1	11.1											
2800	SCFM	458	415	374	333	295	257	221								
	HP	9.0	11.7	14.3	17.0	19.7	22.5	25.2								
3700	SCFM	668	629	591	555	520	486	454	423	393	364					
	HP	15.3	18.9	22.4	22.8	29.3	32.9	36.6	40.4	44.1	47.6					
4500	SCFM	858	817	780	745	713	682	653	626	600	575	552	529			
	HP	22.8	27.4	31.7	35.9	40.1	44.3	48.6	52.9	57.3	61.6	66.0	70.2			

RPM		VACUUM (°Hg)											
		3	4	5	6	7	8	9	10	11	12	13	14
2000	ICFM	258	217	179	143	109	77						
	HP	3.8	4.8	5.8	6.8	7.7	8.7						
2800	ICFM	428	393	352	312	274	235	199	163	128			
	HP	7.0	8.0	9.3	10.5	11.7	13.0	14.2	15.6	16.9			
3700	ICFM	630	583	536	490	446	402	359	318	278	239		
	HP	10.8	12.8	14.5	16.1	17.7	19.2	20.7	22.4	24.1	25.8		
4500	ICFM	810	757	702	648	596	546	498	452	407	364	323	283
	HP	15.7	18.0	20.3	22.3	24.2	26.0	27.8	29.5	31.3	33.2	35.0	36.7

RPM		PRESSURE (psig)														
		2	3	4	5	6	7	8	9	10	11	12	13			
2000	SCFM	131	105	82	60											
	HP	2.8	3.9	5.0	6.1											
2800	SCFM	229	208	187	167	147	129	111								
	HP	5.0	6.4	7.9	9.3	10.8	12.3	13.9								
3700	SCFM	334	314	295	277	260	243	227	211	196	182					
	HP	8.4	10.4	12.3	14.2	16.1	18.1	20.1	22.2	24.3	26.2					
4500	SCFM	429	409	390	373	356	341	327	313	300	288	276	265			
	HP	12.5	15.1	17.4	19.7	22.0	24.3	26.7	29.1	31.5	33.9	36.3	38.6			

RPM		VACUUM (°Hg)											
		3	4	5	6	7	8	9	10	11	12	13	14
2000	ICFM	129	109	90	71	55	39						
	HP	2.1	2.6	3.2	3.7	4.2	4.8						
2800	ICFM	214	197	176	156	134	118	99	81	64			
	HP	3.9	4.4	5.1	5.8	6.4	7.1	7.8	8.6	9.3			
3700	ICFM	315	291	268	245	223	201	180	159	139	119		
	HP	5.9	7.0	8.0	8.9	9.7	10.6	11.4	12.3	13.2	14.2		
4500	ICFM	405	378	351	324	298	273	249	226	203	182	161	141
	HP	8.6	9.9	11.2	12.3	13.3	14.3	15.3	16.2	17.2	18.2	19.2	20.2

Performance data for air at standard conditions: Sea level, 14.7 PSIA, 29.92 °Hg, 68 °F inlet temperature, 36% relative humidity.

Contact Your TurboTron Representative

Other Gardner Denver Brochures Available

TurboTron Full Flow and Half Flow Blower/Vacuum Pumps

Water & Wastewater Treatment Solutions

Engineered Solutions



For additional information, contact your local representative or

Gardner Denver Blower Division

100 Gardner Park, Peachtree City, GA 30269

Toll Free 800-543-7736 ext. 487

Phone 770-632-5000 • Fax 770-486-5629

E-mail: blowersmktg@gardnerdenver.com

Visit our web site: www.gardnerdenver.com

For Parts Information, Contact:

Gardner Denver Blower Division Customer Service

Toll Free 800-982-3009

Phone 770-632-5000 • Fax 770-486-5629